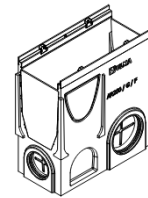
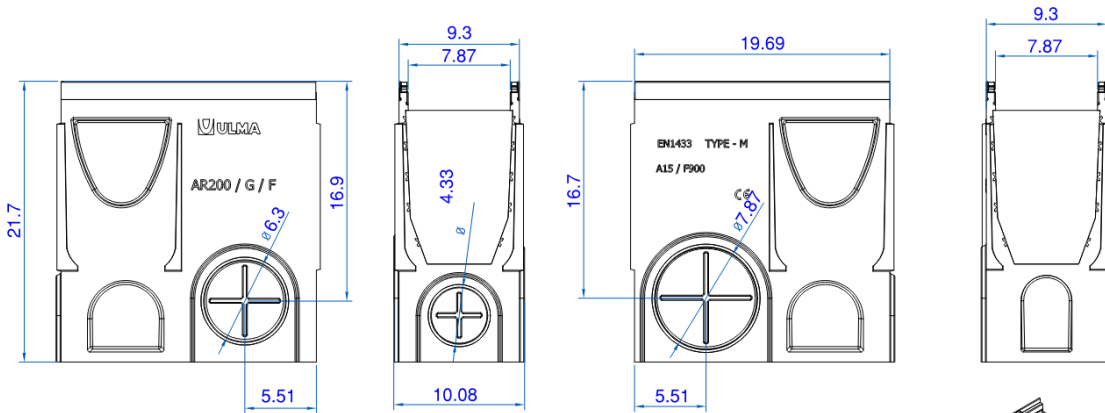



Number AR200G	Series MULTIV 200 Galvanized edge Catch Basin
------------------------------------	---



PART NUMBER	DIMENSIONS
AR200G	21.7" [560MM]



Manufacturer 	Specification ULMA AR200G GALVANIZED EDGE POLYMER CONCRETE CATCH BASIN SUPPLIED BY TRENCH DRAIN SUPPLY
--	---

DISCLAIMER - The customer and the customer's architects, engineers, consultants, and other professionals are completely responsible for the selection installation and maintenance of any product purchased from Trench Drain Supply and/or its manufacturers. TRENCH DRAIN SUPPLY MAKES NO WARRANTY, EXPRESS OR IMPLIED, AS TO THE SUITABILITY, DESIGN, MERCHANTABILITY, OR FITNESS OF THE PRODUCT FOR CUSTOMERS APPLICATION. The drawing and information provided remain the property and copyright of the manufacturer listed. The manufacturer reserves the right to modify specification without notice.